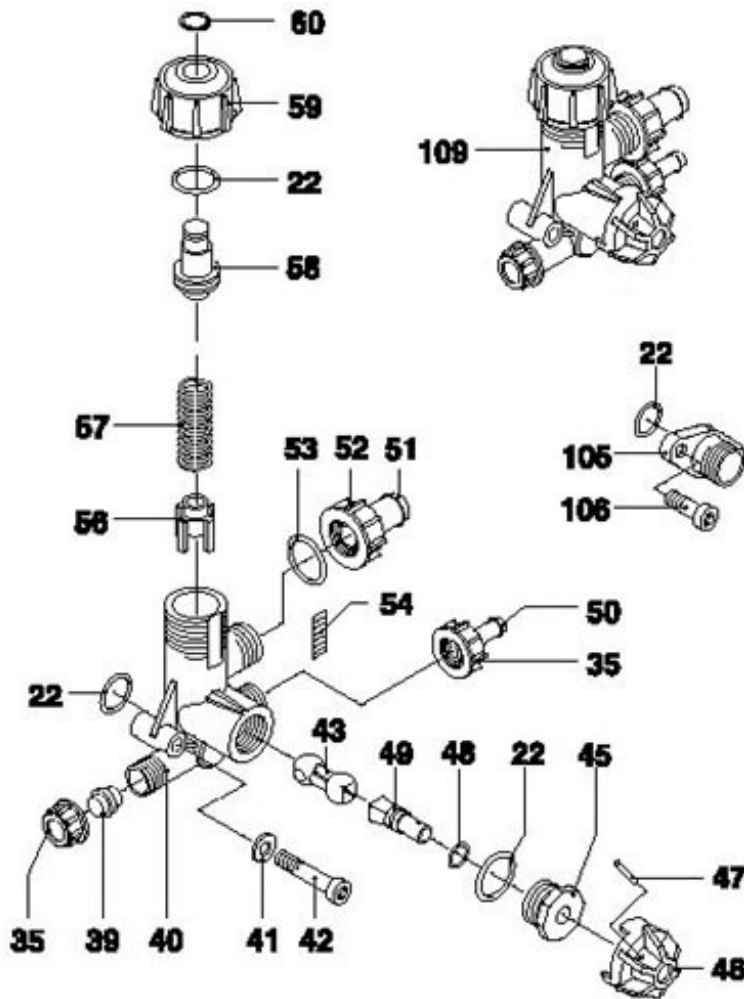


Hypro D252 Control Unit Parts



Replacement parts for 9910-Kit1990
Control Unit for Hypro D252 (D19)

- 22 (9910-480440) O-Ring
- 35 (9910-800520) Ring Nut
- 39 (9910-800540) Plug
- 40 (9910-800400) Valve Body
- 41 (9910-550331) Washer
- 42 (9910-800410) Bolt
- 43 (9910-800430) Valve
- 45 (9910-800500) Ring Nut
- 46 (9910-800510) Knob
- 47 (9910-390330) Pin
- 48 (9910-800560) O-Ring
- 49 (9910-800490) Positioning Rod
- 50 (9910-800530) Hose Barb (Outlet)
3/8"
- 51 (9910-800670) Hose Barb (Inlet)
1/2" bypass
- 52 (9910-800680) Ring Nut
- 53 (9910-740290) O-Ring

- 54 (9910-800480) ATM Scale Adhesive
- 56 (9910-800440) Lower Spring Guide
- 57 (9910-800450) Spring
- 58 (9910-800460) Upper Spring Guide
- 59 (9910-800470) Adjustment Knob
- 60 (9910-480550) Retaining Ring
- 106 (9910-880280) Bolt
- 105 (9910-800691) Flange
- 109 (9910-kit1990) Complete Relief Valve Ass'y



420 Shearer Boulevard
Cocoa, FL 32922
800-247-8946
www.neelco.biz

Bill Hepper
727-902-0147